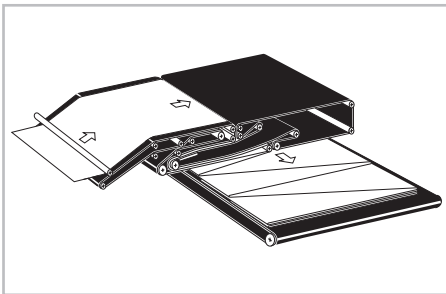


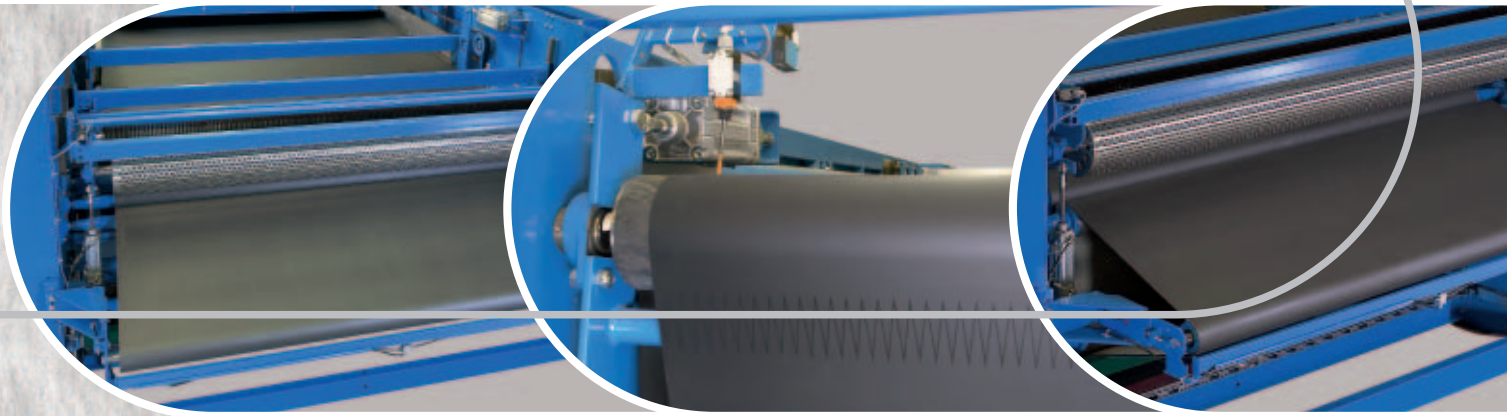
Habasit Crosslapper Belts



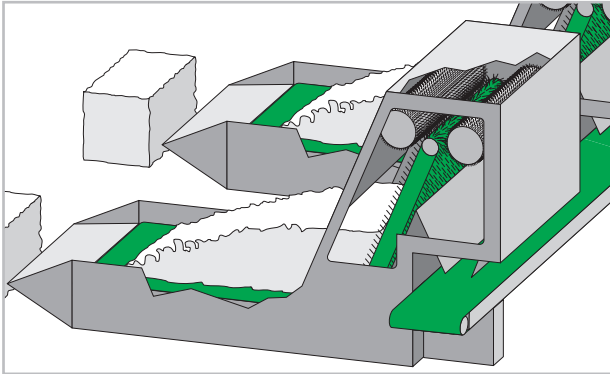
You need a new crosslapper belt? Habasit can offer a big variety of crosslapper belts for different application requirements up to four meter wide.

Habasit belt types

- ENT-6EE
- ENB-6EE
- ENA-4EE
- ENA-8EE

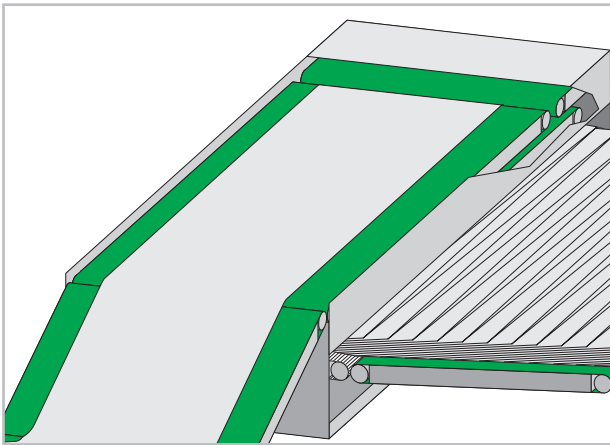


Bale opener



We offer a full range of conveyor belts with polyvinyl chloride- (PVC), thermoplastic polyurethane (TPU), and thermoplastic polyolefin (TPO) covers, with various surface structures and embossing as well as a range of thicknesses for every kind of bale opener, blending opener and automatic blending machines. Habasit is the original supplier to leading blow-room machine manufacturers in Europe, Asia and the Americas.

Crosslapper belts

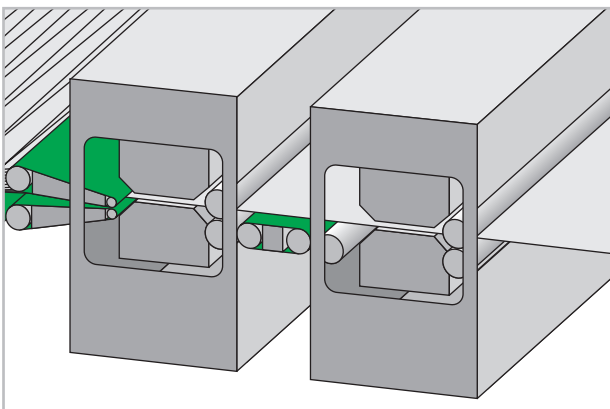


Habasit is the leading crosslapper- and conveyor belt manufacturer worldwide with a market share of > 50 %. Habasit crosslapper belts are known in the market for excellent quality and high reliability and are available up to 4000 mm wide open prepared or endless made.

Leading machine manufacturers in Germany, France, Italy, Japan and Korea selected Habasit crosslapper belts for the original equipment because of the excellent release properties to the fiber web, short installation and putting into operation and because of the excellent price / value ratio.

On site installation and technical support are provided through 26 Habasit affiliated companies worldwide and more than 50 agents and distributors.

Needle loom



Habasit offers a full range of conveyor belts with polyvinyl chloride- (PVC), thermoplastic polyurethane (TPU), and thermoplastic polyolefin (TPO) covers, with various surface structures and embossing as well as a wide range of thickness for feeder and regular conveyor applications for needle looms.

Applications, belt types

Technical key data

	ENT-6EE	ENB-6EE	ENA-4EE	ENA-8EE
Belt application				
Autefa	•			
Asselin		•		
other OEMs		•	•	•

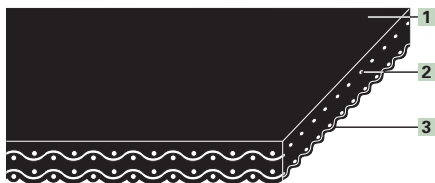
Product Design (enlarged)



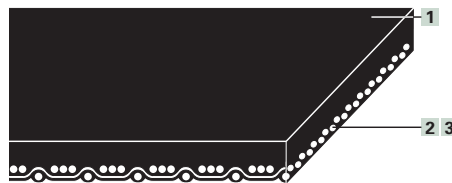
ENT-6EE



ENA-4EE



ENB-6EE



ENA-8EE

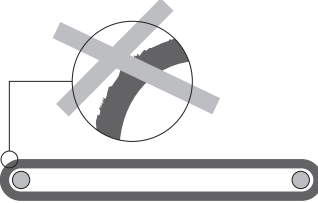
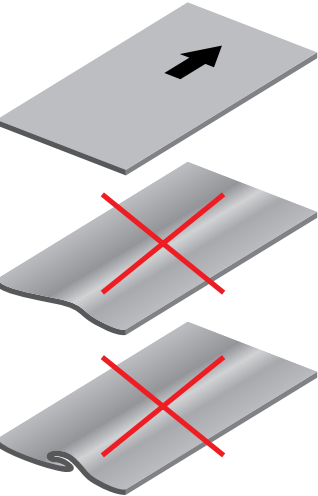
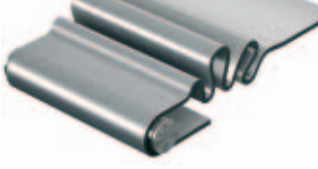
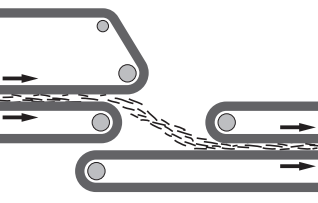
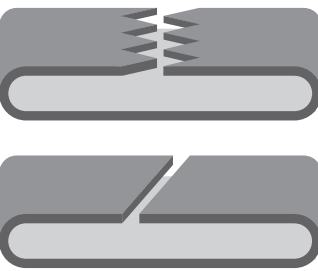
Legend

- 1 Conveying side
- 2 Traction layer
- 3 Running side / Pulley side

	ENT-6EE	ENB-6EE	ENA-4EE	ENA-8EE
Product construction / design				
Conveying side (Material)	Polymer cross linked	Polymer cross linked	Polyurethane cross linked	Polyurethane cross linked
Conveying side (Surface)	Impregnated fabric	Blank / smooth	Blank / smooth	Blank / smooth
Conveying side (Property)	Non-adhesive	Non-adhesive	Non-adhesive	Non-adhesive
Conveying side (Color)	Black	Black	Black	Black
Traction layer (Material)	Polyester (PET)	Polyester (PET)	Polyester (PET)	Polyester (PET)
Number of fabrics	2	2	1	1
Running / Pulley side (Material)	(PET) / (PUR) ¹⁾	(PET) / (PUR) ¹⁾	(PET) / (TPU) ²⁾	(PET) / (TPU) ²⁾
Running / Pulley side (Surface)	Impregnated fabric	Impregnated fabric	Impregnated fabric	Impregnated fabric
Running / Pulley side (Color)	Black	Black	Black	Black
Product characteristics				
Permanently antistatic	Yes	Yes	Yes	Yes
Technical key data				
Thickness [mm]	0.8	1.0	0.75	1.0
[in.]	0.03	0.04	0.03	0.04
Mass of belt [kg/m ²]	0.7	1.0	0.75	1.0
(belt weight) [lbs./sq.ft.]	0.14	0.2	0.15	0.2
Pulley diameter minimum [mm]	50	50	50	50
with counterflexion [in.]	2	2	2	2
Tensile force for 1% elongation (k1% static) [N/mm]	6	6	4	10
[lbs./in.]	34	34	23	57
per unit of width (Habasit standard 320.064)				
Tensile force for 1% elongation (k1% relaxed) [N/mm]	4	4	2.4	6
[lbs./in.]	23	23	14	34
EN1723) per unit of width (Habasit standard 320.064)				
Operating temperature [°C]	-10 / 70	-10 / 70	-10 / 70	-10 / 70
admissible (continuous) [°F]	14 / 158	14 / 158	14 / 158	14 / 158
Seamless manufacturing width [mm]	4000	4000	4000	4000
[in.]	157	157	157	157
Joining system				
Master joining method	Flexproof	Flexproof	Flexproof	Flexproof
Alternative joining method	Thermofix	Thermofix	Thermofix	Thermofix

Legend

- (PET) / (PUR)¹⁾
Polyester fabric (PET) impregnated with Polyurethane crosslinked (PUR)
- (PET) / (TPU)²⁾
Polyester fabric (PET) impregnated with thermoplastic Polyurethane (TPU)

	Features	Benefits
	<ul style="list-style-type: none"> • High grade TPU combined with chemical resistant polymer surface coat 	<ul style="list-style-type: none"> • Chemical resistance to sizes • Non-brittling, ageing or micro cracking of surface → No tow formation of fibers → Long belt-life → No hooking of fibers → Uniform production of lightweight web (< 100 g/m²) possible
	<ul style="list-style-type: none"> • High lateral stiffness • Flat lying 	<ul style="list-style-type: none"> • No folding of crosslapper belt → No damaging of web → No folding or over-throwing of web → Perfect tracking → Trouble-free/reliable production → Reduced operation cost
	<ul style="list-style-type: none"> • High longitudinal flexibility 	<ul style="list-style-type: none"> • Improved operating conditions for high-speed machines → Less tensioning required → Less energy consumption
	<ul style="list-style-type: none"> • Conductive belt surface • Excellent release properties 	<ul style="list-style-type: none"> • Suitable for all man-made fibers • No sticking of fibers (fiber fly) → Trouble-free/reliable production (high output) → No blushing of web
	<ul style="list-style-type: none"> • Various types of joinings possible • Flexproof Homogeneous and flexible joining • Thermofix Simple and fast joining method 	<ul style="list-style-type: none"> • Identical properties, equally flexible as the rest of the belt • Joining on the machine → Consistent operational safety → Short downtimes

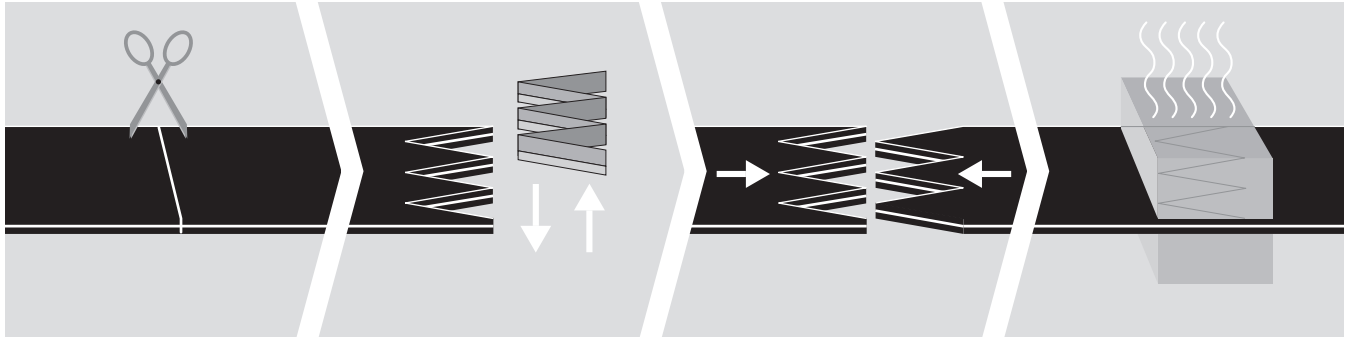
Flexproof

Cut to dimensions

Die-cut / Finger-cut

Join

Hot-press



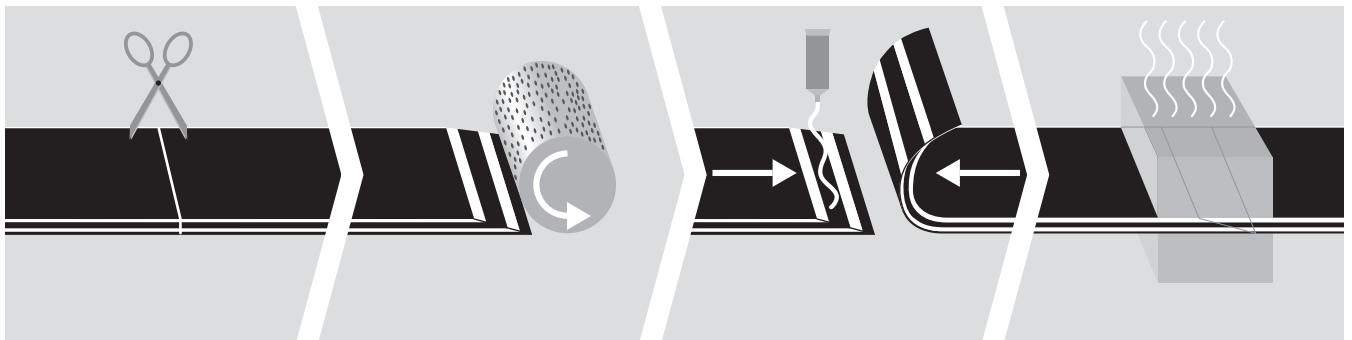
Thermofix

Cut to dimensions

Skive

Apply adhesive

Hot-press



Installing services

Tools for on-site fabrication

Because we understand your processes, we can support you with cost-effective high quality tools that keep your equipment up and running. In case of emergency, our tools will help to minimize downtime and support efficiently the joining process. Habasit offers zig-zag cutting devices to prepare polyester power transmission belts. A selection of hot pressing devices to fit your applications and to guarantee optimum quality complement the tool package.

On-site installation service In cases where having the tools ready on-site is not economical, you can be sure to have a Habasit affiliate or service partner nearby who can offer and bring in the necessary equipment for the required fabrication and installing service.

Austria

Habasisit GmbH, Wien
Phone: +43 1 690 66
www.habasisit.at

Belgium

Habasisit Belgium N.V., Zaventem
Phone: +32 2 725 04 30
www.habasisit.be

Canada

Habasisit Canada Ltd., Oakville
Phone: +1 905 827 4131
www.habasisit.ca

China

Habasisit East Asia Ltd., Hong Kong
Phone: +852 2145 01 50
www.habasisit.com.hk

Habasisit (Shanghai) Co., Ltd.
Shanghai

Phone: +8621 3417 1228
Phone: +8621 3417 1218
www.habasisit.com.hk

Czech Republic

Habasisit Bohemia spol. s.r.o., Brno
Phone: +4205 41 421 651
www.habasisit.cz

France

Habasisit France S.A.S., Mulhouse
Phone: +33 389 33 89 03
www.habasisit.fr

Germany

Habasisit Rossi GmbH,
Eppertshausen
Phone: +49 6071 969 0
www.habasisit.de

Hungary

Habasisit Hungária Kft., Esztergom
Phone: +36 33 510 610
www.habasisit.hu

India

Habasisit-lakoka Pvt. Ltd., Coimbatore
Phone: +91 422 262 78 79
www.habasisitlakoka.com

Italy

Habasisit Italiana SpA
Customer Care:
Phone: 199 199 333
For int. calls: +39 0438 911444
www.habasisit.it

Japan

Habasisit Nippon Co. Ltd., Yokohama
Phone: +81 45 476 03 71
www.habasisit.co.jp

Latvia

Habasisit Baltic SIA, Daugavpils
Phone: +371 54 074 88
www.habasisit.lv

Netherlands

Habasisit Netherlands BV, Nijkerk
Phone: +31 33 24 72 030
www.habasisit.nl

Norway

Habasisit Norge A/S, Oslo
Phone: +47 22 90 92 80
www.habasisit.no

Poland

Habasisit Polska Sp. zo.o., Katowice
Phone: +48 328 511 000
www.habasisit.com

Romania

Habasisit Import/Export Romania SRL,
Bucuresti, Phone: +40 21 323 95 65
www.habasisit.ro

Russia

Habasisit Moscow
Phone: +7 09 59 561 508
www.habasisit.ru

Singapore

Habasisit Far East Pte. Ltd., Singapore
Phone: +65 6862 55 66
www.habasisit.com.sg

Spain

Habasisit Hispanica S.A.,
Barberà del Vallès
Phone: +34 93 719 19 12
www.habasisit.com

Sweden

Habasisit AB, Hindas
Phone: +46 301 226 00
www.habasisit.se

Switzerland

Habasisit Schweiz, Reinach
Phone: +41 61 715 15 75
www.habasisit.ch

Taiwan

Habasisit East Asia (Taiwan) Ltd.
Taipei Hsien
Phone: +886 2 2267 0538
www.habasisit.com.tw

Ukraine

Habasisit Ukraina, Vinnica
Phone: +38 0432 53 17 35
or +38 0432 53 67 38
www.habasisit.ua

United Kingdom and Ireland

Habasisit (UK) Ltd., Silsden
Phone: + 44 870 835 9555
www.habasisit.co.uk

USA

Habasisit Belting Inc., Suwanee,
Georgia, Phone: +1 800 458 6431
www.habasisitusa.com

USA (Seamless belts only)

Habasisit ABT Inc., Middletown,
Connecticut, Phone: +1 860 632 2211
www.habasisitabt.com

Headquarters

Habasisit AG
CH-4153 Reinach-Basel
Phone +41 61 715 15 15
Fax +41 61 715 15 55
E-mail info@habasisit.com
www.habasisit.com

Product liability, application considerations If the proper selection and application of Habasisit products are not recommended by an authorized Habasisit sales specialist, the selection and application of Habasisit products, including the related area of product safety, are the responsibility of the customer. All indications/information are recommendations and believed to be reliable, but no representations, guarantees, or warranties of any kind are made as to their accuracy or suitability for particular applications. The data provided herein are based on laboratory work with small-scale test equipment, running at standard conditions, and do not necessarily match product performance in industrial use. New knowledge and experiences can lead to modifications and changes within a short time without prior notice.

BECAUSE CONDITIONS OF USE ARE OUTSIDE OF HABASIT'S AND ITS AFFILIATED COMPANIES CONTROL, WE CANNOT ASSUME ANY LIABILITY CONCERNING THE SUITABILITY AND PROCESS ABILITY OF THE PRODUCTS MENTIONED HEREIN. THIS ALSO APPLIES TO PROCESS RESULTS / OUTPUT / MANUFACTURING GOODS AS WELL AS TO POSSIBLE DEFECTS, DAMAGES, CONSEQUENTIAL DAMAGES, AND FURTHER-REACHING CONSEQUENCES.

Registered trade marks
Copyright Habasisit AG
Subject to alterations

Printed in Switzerland

Publication data:
4100FLY.CVB-en0805HQR